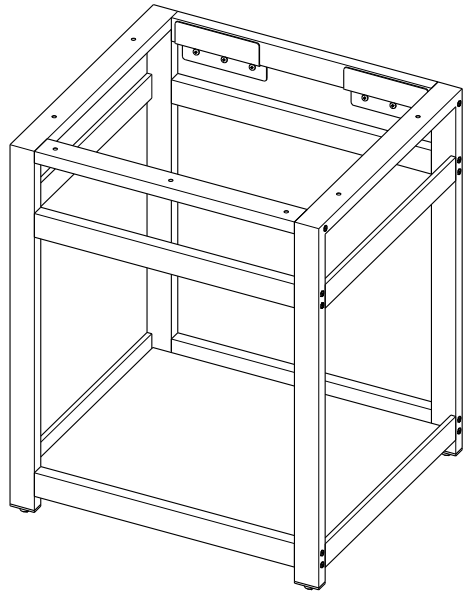


KINGSTON BRASS

THE TRADITION OF FINE BRASS

Iron Bathroom Console Sink Base With Glass Shelf Installation



Parts:

Shape		Straight Tube			Gasket
A	B	C	D	E	F
1 Pc	1 Pc	1 Pc Screw	1 Pc Bolt	4 Pcs Glass Shelf	6 Pcs Mounting Bracket
		G	H	I	J
		4 Pcs	20 Pcs	1 Pc	2 Pcs

www.kingstonbrass.com

TOLL-FREE CUSTOMER SERVICE: 1-877-2-KBRASS

TECHNICAL SUPPORT E-mail: service@kingstonbrass.com

12775 Reservoir Street, Chino, CA91710

TOOLS REQUIRED

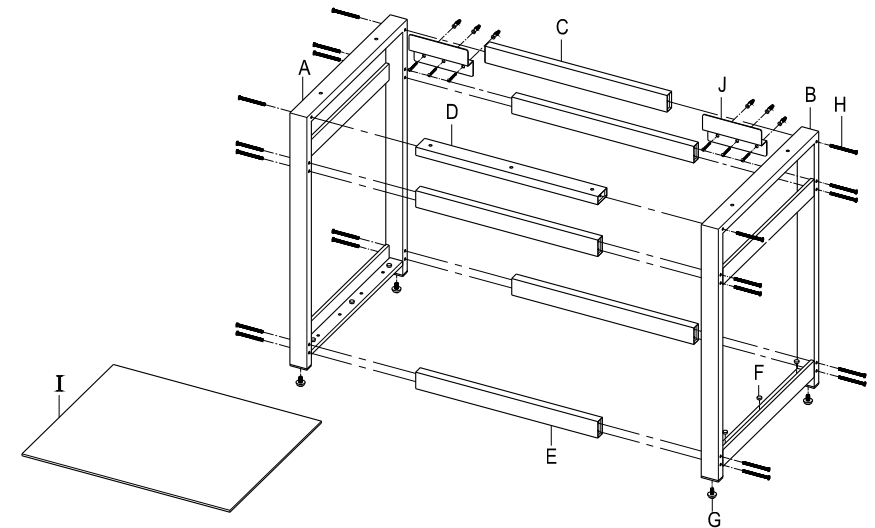
Allen Wrench

Phillips Screwdriver

Marking Pencil

Hammer

Power Drill



Installation Steps:

- Step 1. Thread adjustable leg screws (Part G) to the bottom of Parts A & B.
- Step 2. Now place the straight bars (Parts C and E), total 5 Bars in horizontal positions and secure with the Allen Key bolts (Part H) that are included.
- Step 3. Next install the straight bar (Part D) on the top portion of the frame facing towards yourself with the 3- screw holes face upwards.
- Step 4. Next, we will install the glass shelf. First, find the 6 pieces rubber gaskets (Part F) included, then apply 3 of them on each of the bottom insides of Parts A & B. You will then set the glass shelf (Part I) in the bottom of the main frame.
- Step 5. Level entire structure by adjusting leg screws (Part G) as necessary.
- Step 6. Once unit has been assembled place at the desired location and after leveling draw a line across the bottom of the top vertical beam (C).
- Step 7. Remove the Console sink base, find the location of the wood studs and using the marked line as a guide to install support brackets at the location of the studs, make sure at least one of the screws is secured to the wood; you will need an anchor to secure from a secondary point in the bracket.
- Step 8. The depth of wall drill hole for installing anchor should be 40mm (1-5/8") Min.
- Step 9. Slide Console sink base into place and attach top sink.

Cleaning

Clean with a damp cloth only.
Avoid using metal or abrasive polishes.